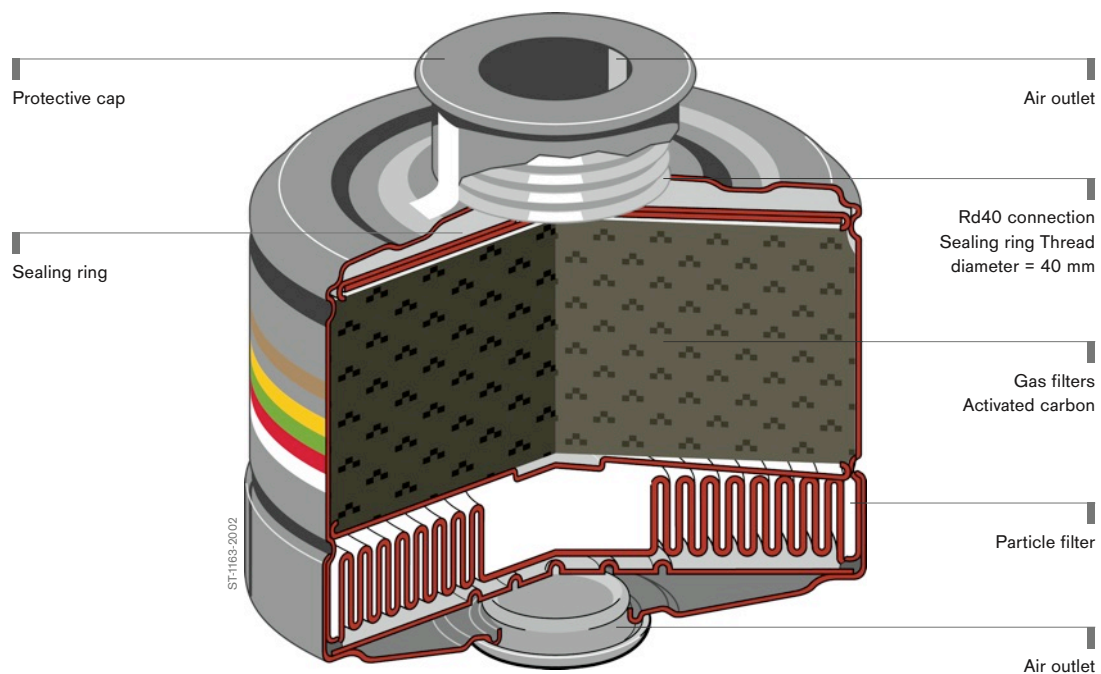


Dräger X-plore® Rd40 Filter

Whether used in chemical industry or automobile industry, shipbuilding, metal processing industry or by public utility services – for decades Dräger respiratory protection filters have been a synonym for experience and safety worldwide. They clean breathable air from contaminants in a low-cost and effective manner.



Benefits

Broad filter range

The X-plore Rd40 filter series offers various filter types for major applications and protects against many hazardous substances – from phosphine to tear gas to particulates.

Long life

The gas filters and combination filters have a shelf-life of 6 years and the particle filters a shelf life of 12 years from date of manufacture.

Resealable individual packaging

The filters are packed individually to ensure optimum protection of the unused filter. For storage, the packaging is resealable.

Supporting filter selection

The Dräger VOICE database of hazardous substances offers comprehensive support for selecting filters (www.draeger.com/voice).

Aluminum housing

The aluminum housing ensures that any damage to the filter is easily detected, therefore providing extra security.

CE marking

All filters are CE-marked in accordance with EN 14387 and/or EN 143.

Rd40 thread connection

The filters are suitable for use with half and full face masks with standard thread connection Rd40 according to EN 148-1.

Technical Data

FILTER COLOUR CODING

Color	Filter Type	Main field of application
brown	AX	Gases and vapors of organic compounds with boiling point ≤ 65 °C
brown	A	Gases and vapors of organic compounds with boiling point > 65 °C
grey	B	inorganic gases and vapors, e.g. chlorine, hydrogen sulphide, hydrogen cyanide
yellow	E	Sulphur dioxide, hydrogen chloride
green	K	Ammonia
black	CO	Carbon monoxid
red	Hg	Mercury vapor
blue	NO	Nitrous gases, including nitrogen monoxide
orange	Reactor	Radioactive iodine including radioactive methyl iodide
white	P	Particles

Ordering Information

FILTER TYPE

ORDER CODE

Particle Filters

1140 P3 R (incinerable) also approved as filter TH/M3 P SL R (EN 12941/12942) for Dräger X-plore® 7500	67 38 932
1140 P3 R (incinerable), bulk pack also approved as filter TH/M3 P SL R (EN 12941/12942) for Dräger X-plore® 7500	67 32 974

Gas Filters

940 A2	67 38 855
940 A2B2	67 38 779
1140 AX	67 38 863
1140 AXB2*	67 38 782
940 K2	67 38 856
940 A2B2E2K1	67 38 802
1140 A2B2E2K2*	67 38 804

Combination Filters

940 A2 P2 R D	67 38 857
1140 A2 P3 R D also approved as filter TH/M3 A2 P SL R (EN 12941/12942) for Dräger X-plore® 7500	67 38 860
940 A2B2 P2 R D	67 38 780
1140 A2B2 P3 R D also approved as filter TH/M3 A2B2 P SL R (EN 12941/12942) for Dräger X-plore® 7500	67 38 783
1140 AX P3 R D	67 38 862
940 K2 P2 R D	67 38 858
940 A2B2E2K1 P2 R D	67 38 803
1140 A2B2E2K1 Hg P3 R D	67 38 815
1140 A2B2E2K2 Hg P3 R D* also approved as filter TH/M3 ABEK2 Hg P SL R (EN 12941/12942) for Dräger X-plore® 7500	67 38 797

Ordering Information

1140 A1B2E2K1 Hg NO P3 R D / CO 20 P3 R D*	67 38 801
--	-----------

1140 A2B2E2K2 Hg NO P3 R D / CO 20 P3 R D*	67 38 814
--	-----------

Special Filters

1140 A2 P3 R D / Reactor/Nuclear P3 R D	67 38 871
---	-----------

*Only use in conjunction with full face masks as filter weight >300g

Marking D: for successfully passed dolomite test

Marking R: Reusable - protection for more than one work shift

CORPORATE HEADQUARTERS

Drägerwerk AG & Co. KGaA
Moislinger Allee 53–55
23558 Lübeck, Germany
www.draeger.com

REGION EUROPE CENTRAL AND EUROPE NORTH

Dräger Safety AG & Co. KGaA
Revalstraße 1
23560 Lübeck, Germany
Tel +49 451 882 0
Fax +49 451 882 2080
info@draeger.com

REGION EUROPE SOUTH

Dräger Safety France SAS
25, rue Georges Besse
92182 Antony Cedex
Tel +33 1 46 11 56 00
Fax +33 1 40 96 97 20
europe.south@draeger.com

REGION MIDDLE EAST, AFRICA

Dräger Safety AG & Co. KGaA
Branch Office
P.O. Box 505108
Dubai, United Arab Emirates
Tel +971 4 4294 600
Fax +971 4 4294 699
contactuae@draeger.com

REGION ASIA PACIFIC

Draeger Safety Asia Pte Ltd
25 International Business Park
#04-20/21 German Centre
Singapore 609916
Tel +65 6308 9400
Fax +65 6308 9401
asia.pacific@draeger.com

REGION CENTRAL AND SOUTH AMERICA

Dräger Panama S. de R.L.
Complejo Business Park,
V tower, 10th floor
Panama City
Tel +507 377 9100
Fax +507 377 9130
contactcsa@draeger.com

Locate your Regional
Sales Representative at:
www.draeger.com/contact

